



# Product Catalog

Indoor & Outdoor Hearth  
Outdoor Kitchen & Room  
Hearth & Kitchen Accessories



<b>Contents</b>	<b>Pages</b>
<b>Who We Are, Mission Statement &amp; Operational Goals</b>	<b>3</b>
<b>Packaging &amp; Shipping Information</b>	<b>4</b>
<b>Fireplace Construction Overview</b>	<b>4</b>
<b>Outdoor Hearth &amp; Cooking Products</b>	<b>5 - 12</b>
Stone Age Fireplaces—Patio Series & Veranda™ Models	5
Stone Age Fireplaces—Contractor Series & Standard Models	6
Stone Age Fireplaces—Standard See-Thru Models	7
New Age™ Outdoor Fireplace	7
Fireplace Chimney Sections	8
Fireplace Opening Height Extensions	8
Portable Fireplace & Oven Footings	9
Fireplace Wood Storage Boxes & Angled Storage Adapter Kits	9
Brick Oven, Mezzo™ & Vecchio™ Pizza Ovens	10
Amerigo™ Pizza Ovens, Liner, Access Tunnel, Base plate Extensions & Pizza Oven Cabinets	11
Fire Pits	12
<b>Indoor Hearth Products</b>	<b>13 - 15</b>
New Age™ Indoor Fireplaces	13
New Age™ Vent-Free Fireplaces	14
New Age™ 5-Piece Indoor Firebox	14
Indoor Fireplace Chimney & Chimney Accessories	15
<b>Fireplace &amp; Cooking Accessories</b>	<b>16 - 20</b>
Chimney Dampers	16
Ash Cleanouts & Air Kits	16
Fire Screens & Fireplace Grates	16
Chimney Caps	17
Fire Pit Burners & Burner Kits, Firestar Burners & Kits	18
Fire Pit Grates & Covers	19
Brick Oven Doors	19
Pizza Oven & Cabinet Doors	20
Pizza & Fire Management Tools	20
<b>Mortar, Adhesives &amp; Miscellaneous Fireplace Accessories</b>	<b>21</b>
Stone Age Multi-Purpose Ready-Mix	21
Mortar Additives & Firebrick	21
Stone Age Refractory Panel Kits	21
Bad Ash Fireplace Cleaner	21
<b>Cabinet Component System™</b>	<b>22 - 27</b>
Cabinet Component System™ Construction Overview	22
STR Series & L Series Island Kits	23
F Series & FF Series Island Kits	24
U Series, Backsplash & Bar Top Backsplash Kits	25
Ceramic Cooker Island Kits, Counter Height Extension Kits, & Seat Wall Kits	26
Column Kits, Island Lighting	27
<b>Pergolas</b>	<b>27</b>
<b>Big Pig™ &amp; Little Pig™ Cabinet Smokers</b>	<b>28</b>
<b>Finishing, Ready-Mix &amp; Fireplace Pad Specifications for Stone Age Products</b>	<b>29 - 30</b>
<b>Warranty</b>	<b>31</b>

## Who We Are

Stone Age Manufacturing, Inc. is a family-owned and operated business, whose background is in masonry and fireplace construction. Our original product, the Stone Age fireplace, arose from needs in the marketplace identified through our own experiences in the field with our affiliated business, Rider Stone Company, a natural stone supply and masonry installation company specializing in custom designs and projects, which has been operated by our family for three generations. Stone Age products have been well received throughout the construction and hardscape industries and we have enjoyed significant growth each year since our incorporation.

Recognition of the challenges typically faced in real-world installations continues to drive our product development, as all Stone Age products are designed to offer a faster, more efficient and more durable way to construct popular hearth and outdoor room products, while delivering greater consistency and higher quality than comparable products or traditional construction techniques.

Stone Age Manufacturing takes pride in our heritage as a family-owned business, and is committed to using our extensive knowledge and masonry expertise to produce the finest quality products available, while delivering exceptional value at a reasonable cost, and providing outstanding personal service to each of our customers.

Stone Age Manufacturing is located in the Tulsa, Oklahoma metropolitan area, and is proud to manufacture our products in the United States of America, using materials produced in the U.S.A.

---

## What We Do

Stone Age Manufacturing, Inc. produces pre-engineered masonry fireplace kits for indoor and outdoor applications, as well as fire pits, brick and pizza ovens, and kitchen island systems, all in kit forms designed for ease of assembly by experienced masons or novice installers, while providing strength, durability and outstanding performance in all climates and conditions.

Each Stone Age product is designed for compatibility with our other components, allowing endless flexibility in project design and easy customization to meet the unique requirements of any installation, regardless of architectural or design style. Stone Age also offers a full line of accessories, carefully chosen to enhance the performance and enjoyment of our products.

Stone Age Manufacturing, Inc. offers a group of products that increase productivity and profits, prevent quality issues and installation difficulties, and enhance the professional reputation of the contractor or installer. Stone Age products offer the consumer a complete outdoor lifestyle system uniquely adaptable to their specific needs, designed to deliver outstanding performance and years of relaxation and enjoyment.

---

## Mission Statement

Stone Age Manufacturing, Inc. strives to create products which offer a faster, more efficient and more durable way to construct popular hearth and outdoor room products, while delivering greater consistency, higher quality, and greater value than competing products or traditional construction techniques. Stone Age also strives to provide outstanding customer service, treating our customers as we would want to be treated ourselves.

---

## Operational Goals

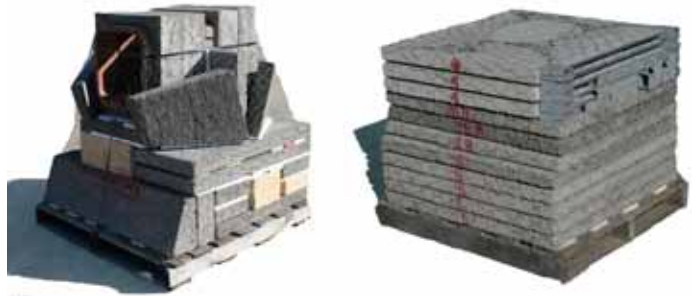
- To be the leader in development and production of masonry indoor and outdoor living products.
- To design products that assemble quickly and easily, offering labor savings and increased profit margins to the installer and cost savings to the consumer.
- To design products which perform well under a broad spectrum of operating conditions and unique installation configurations.
- To produce the highest quality products available at a competitive price, without sacrificing product integrity.
- To build and maintain product inventory levels that allow quick and convenient delivery on all orders.
- To constantly improve the quality and production processes of our existing product line.
- To produce a variety of products and options that offer the greatest value possible to a wide range of potential customers.
- To continually build a brand name that customers recognize, associate with quality, and seek out.
- To deliver outstanding customer service to all customers at all times.
- To earn the reputation of a company that all of our customers would prefer to do business with, and would refer to their friends and associates.
- To offer a wealth of marketing and educational materials to our dealers, distributors, and contractors, to increase knowledge and understanding of the quality and value of Stone Age products, assisting in the sale of our products and the sale of projects using our products.

## Packaging and Shipping Information

Stone Age Fireplaces, Fire Pits and Cabinet Component System kits smaller than 12', ship on a single pallet per unit.

Larger Cabinet Component Systems and New Age™ 60" and 72" kits ship on 2 or more pallets, depending upon size. Pergola kits require 3 or 4 pallet spaces.

Smaller accessories generally will be shipped in corrugated paper boxes, depending upon the item.



## Fireplace Construction Overview

Installation of the Stone Age fireplace is very simple. Project and site preparation should include pouring a reinforced concrete footing for the unit, per the instructions included with the fireplace kit. Depth of the pad and specific reinforcement requirements, such as piercing, should be determined based on size of the unit, type of finish material to be applied, local soil stability, climate and building customs.

Step 1 - Assemble riser legs



Step 2 - Install baseplate



Step 3 - Add 1st sidewalls



Step 4 - Add 2nd level of walls



Step 5 - Install backplate



Step 6 - Add tapered wall pieces



Step 7 - Add upper backplate



Step 8 - Install floor firebrick



Step 9 - Add firebrick to walls



Step 10 - Install lintel



Step 11 - Install rear throat piece



Step 12 - Add front throat piece



Step 13 - Add chimney



Step 14 - Complete chimney &amp; add hearth



Once the kit is assembled, finish application may begin. Any masonry-compatible finish, such as stucco, tile, brick, man-made stone, pavers or natural stone, may be used with all Stone Age products, and may be applied directly to the outside of the units. Customization is very simple, as standard concrete block may be directly applied around any unit to create a different shape or profile, before application of the finish material.

The Stone Age fireplace was born of a desire to simplify fireplace construction for masons and consumers, while delivering consistently outstanding quality and performance in outdoor applications.

Superior design and materials are the hallmark of Stone Age products, and this dedication to quality begins with our fireplace kits.

Temperature resistant, refractory concrete materials, with solid wall construction and steel reinforcement provide excellent protection from heat and thermal cycling, giving you a product you can be confident in for years to come.

Our elegantly simple designs draft well in outdoor conditions, with minimal smoke spillage into the viewing area of the fireplace, allowing consumers to enjoy their fireplaces at times when owners of lesser fireplaces might be forced indoors.

Our Veranda™ and new Patio Series™ models further simplify construction for the do-it-yourselfer without compromising quality or performance.

SA48



**Stone Age Patio Series™**

Stone Age Patio Series fireplaces are perfect for applications where a simplified, block-friendly solution is required. Offering the quality, durability and performance advantages of the Stone Age fireplace, without the drawbacks of many similarly-sized block fireplaces. Outdoor applications only.

Available with 24", 36" or 48" firebox opening width. Firebox opening height is 22", straight lintel only.

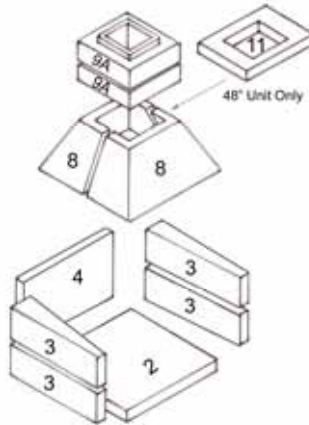
Item No	Model	Weight
SA-24PS	24" with Straight Lintel	1100
SA-36PS	36" with Straight Lintel	1500
SA-48PS	48" with Straight Lintel	1900

**Refer to Section 1 of Price List**

SA-24PS



New



**Recommended Accessories:** Firebrick splits, refractory panels, chimney cap, log grate, Stone Age Multi-Purpose Ready-Mix.

**Veranda™ Fireplaces**

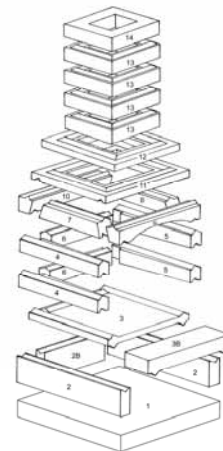
Designed with smaller settings in mind, Veranda™ fireplaces give the consumer a true, masonry wood-burning fireplace in the smallest functional package available. Its unique tongue and groove pieces allow easy assembly by a mason or the consumer, without traditional mortar. Compatible with all masonry finishes. Outdoor applications only.

Available with 18" firebox opening width. Firebox opening height is 15 1/2" with arched lintel only.

Item No	Model	Weight
SA-VER-UA	Unassembled	1000

**Refer to Section 2 of Price List**

SA-VER-UA



**Recommended Accessories:** Stone Age Sonolastic® adhesive, heat-resistant mortar for caulk gun application, chimney cap, log grate, Stone Age Multi-Purpose Ready-Mix.

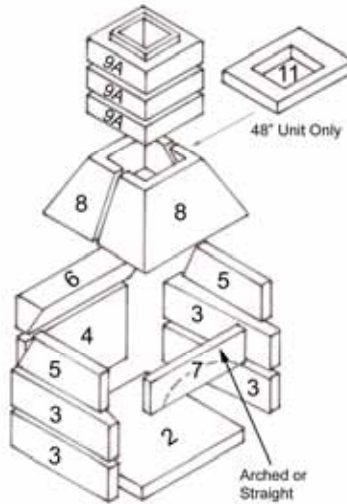
**Stone Age Contractor Series Fireplaces**

The Contractor Series offers Stone Age design and materials with an emphasis on value. The Standard kit is distilled down to its essential components of fireplace and chimney, and additional items are left optional, to give you a fireplace comparable to competing models with Stone Age quality and innovation. UL-127/ULC-S610 Certified for indoor or outdoor applications.

Available with 24", 36" or 48" firebox opening width, single-sided or See-Thru. Firebox opening height is 28" arched lintel or 22" straight.

Item No	Model	Weight
SA-24CN	24" with Arched Lintel	1540
SA-24CN-STR	24" with Straight Lintel	1540
SA-24CN-ST	24" See-Thru, Arched Lintel	1540
SA-24CN-ST-STR	24" See-Thru, Straight Lintel	1540
SA-36CN	36" with Arched Lintel	1760
SA-36CN-STR	36" with Straight Lintel	1760
SA-36CN-ST	36" See-Thru, Arched Lintel	1760
SA-36CN-ST-STR	36" See-Thru, Straight Lintel	1760
SA-48CN	48" with Arched Lintel	2120
SA-48CN-STR	48" with Straight Lintel	2120
SA-48CN-ST	48" See-Thru, Arched Lintel	2120
SA-48CN-ST-STR	48" See-Thru, Straight Lintel	2120

Refer to Section 3 of Price List



**Recommended Accessories:**

Firebrick splits, refractory panels, chimney cap, log grate, Stone Age Multi-Purpose Ready-Mix.

**Stone Age Fireplaces—Standard Models**

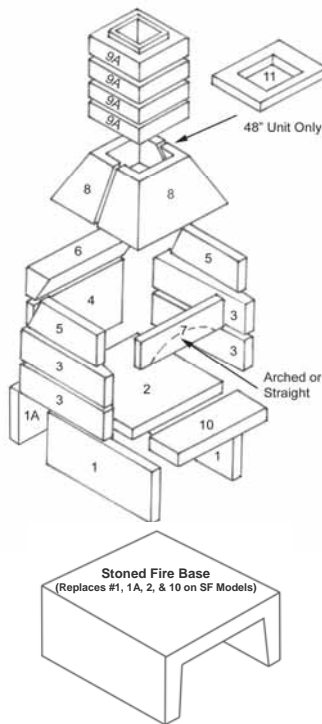
Stone Age fireplaces are complete kits, with everything needed to construct the fireplace included with the unit, except mortar and finishing materials.

Chimney sections, firebrick, hearth and support legs (or a one-piece base/hearth with Stoned Fire kits) are all part of the package, to simplify your preparation and installation. Arched lintels are standard, with straight lintels as a no charge option. UL-127/ULC-S610 Certified for indoor or outdoor applications.

Available with 24", 36" or 48" firebox opening width. Firebox opening height is 28" arched lintel or 22" straight. Also available with Stoned Fire one-piece base.

Item No	Model	Weight
SA24	24" with Arched Lintel	2200
SA24-STR	24" with Straight Lintel	2200
SA-24SF-UA	24" Stoned Fire, Unassembled	2050
SA36	36" with Arched Lintel	2800
SA36-STR	36" with Straight Lintel	2800
SA-36SF-UA	36" Stoned Fire, Unassembled	2500
SA48	48" with Arched Lintel	3100
SA48-STR	48" with Straight Lintel	3100

Refer to Section 4 of Price List



**Recommended Accessories:**

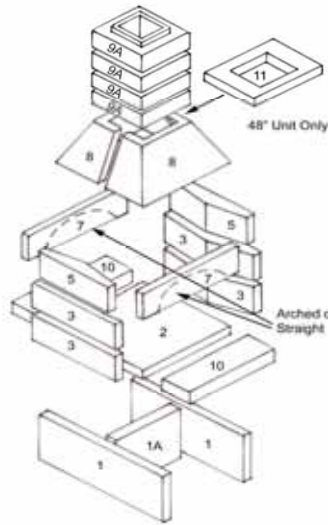
Refractory panels, chimney cap, log grate, Stone Age Multi-Purpose Ready-Mix.

**Stone Age Fireplaces—Standard See-Thru Models**

See-Thru Models are available in each of our standard kit sizes, with firebox openings identical to the single-sided units. See-Thru fireplaces include all the features of the standard models, and are also available with arched (standard) or straight lintels. UL-127/ULC-S610 Certified for indoor or outdoor applications.

Item No	Model	Weight
SA24-ST	24" with Arched Lintel	2200
SA24-STSTR	24" with Straight Lintel	2200
SA36-ST	36" with Arched Lintel	2800
SA36-STSTR	36" with Straight Lintel	2800
SA48-ST	48" with Arched Lintel	3100
SA48-STSTR	48" with Straight Lintel	3100

Refer to Section 4 of Price List

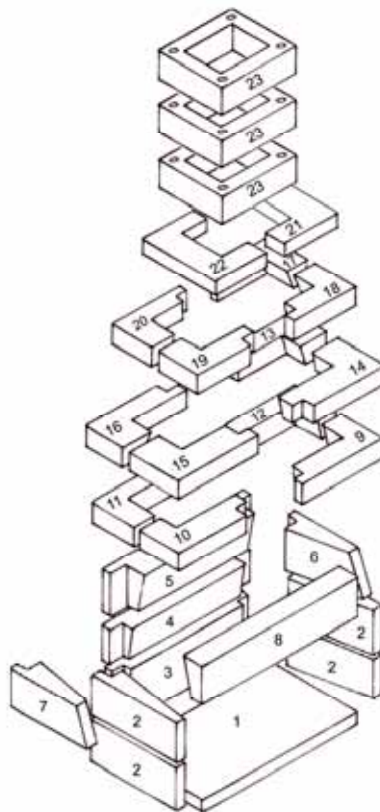


**Recommended Accessories:** Refractory panels, chimney cap, log grate, Stone Age Multi-Purpose Ready-Mix.

SA39



SA45



**New Age™ Outdoor Fireplace**

The New Age™ Outdoor fireplace provides Stone Age performance in a unique, block-friendly configuration. New Age™ models are perfect for contemporary or non-traditional applications, and may be used with our concrete chimney flue sections or with UL-103 metal flue systems. Kits include three 8" tall unlined chimney sections for outdoor use, and firebrick. UL-127/ULC-S610 Certified for indoor or outdoor applications.

Available with 39", 45", 51", 63" or 75" firebox opening width. Firebox opening height is 27" for 39"- 45" kits, 33 1/2" for 51" kits and 41" for 63"- 75" kits, straight lintel only.

Item No	Model	Weight
SA39	New Age™ Outdoor	2950
SA45	New Age™ Outdoor	3180
SA51	New Age™ Outdoor	3560
SA63	New Age™ Outdoor	4580
SA75	New Age™ Outdoor	5660

Refer to Section 6 of Price List

**Recommended Accessories:** Additional chimney flue, flue tile for zero-clearance applications, chimney cap, log grate, Stone Age Multi-Purpose Ready-Mix.

**Fireplace Chimney Sections**



For Zero-Clearance Applications

Stone Age Chimney Sections are available in 6-inch tall increments, to allow any finished chimney height needed, with easier pre-installation handling than previous models. New Age™ Chimney sections are available in 8-inch tall sections only, and may be used with a traditional clay flue liner for applications where zero-clearance to combustibles is needed, or without a liner when zero-clearance is not required. 12-inch tall, smaller diameter chimney sections are available for Amerigo™, Mezzo™, Big Pig™ & Little Pig™ Smokers.

Item No	Model	Weight
SAFL1313-6	6"t Small width for 24" Std & Cont kits	100
SAFL1717-6	6"t Large for 36" - 48" Std & Cont kits	100
SA2323-8	8"t New Age™ 39" Outer Section	116
SA2226-8	8"t New Age™ 45" Outer Section	120
SAFL1313	12"t New Age™ 39" Clay Inner Liner	40
SAFL1317	12"t New Age™ 45" - 75" Clay Inner Liner	63
SAFLVER	6"t for Veranda™ kits	41
SAFLAPO	12"t for Amerigo™, Mezzo™ & Smokers	46

Refer to Section 8 of Price List

**Fireplace Opening Height Extensions**

Stone Age Extension kits create a taller fireplace opening, for a larger viewing area.

Available for 36" and 48" Stone Age models, in Standard or See-Thru, and for all New Age™ Fireplace models.

Each Extension kit adds 11 1/2" to the Standard and See-Thru models and 14" to the New Age™ models. Kits do not include firebrick.

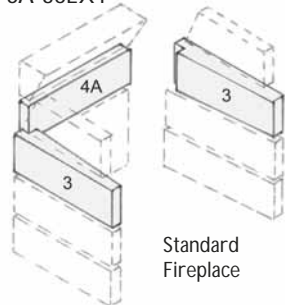
SA-36 & SA-36EXT



Item No	Model	Weight
SA-36EXT	36" Standard Fireplace	175
SA-48EXT	48" Standard Fireplace	200
SA-STEXT	See-Thru Fireplace - All Sizes	100
SA-N3639EXT	36" & 39" New-Age™ Fireplaces	300
SA-N4245EXT	42" & 45" New-Age™ Fireplaces	350
SA-N4851EXT	48" & 51" New-Age™ Fireplaces	400
SA-N6063EXT	60" & 63" New-Age™ Fireplace	450
SA-N7275EXT	72" & 75" New-Age™ Fireplace	500

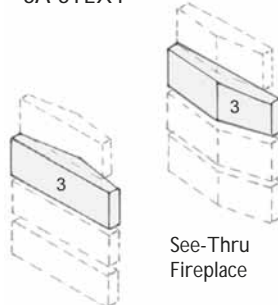
Refer to Section 9 of Price List

SA-36EXT



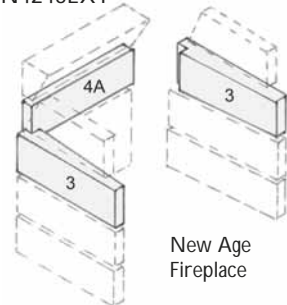
Standard Fireplace

SA-STEXT



See-Thru Fireplace

SA-N4245EXT



New Age Fireplace

Portable Fireplace & Oven Footings



Stone Age Portable Footings are designed for use with tradeshow installations, demos, or other applications where movement of the fireplace or oven is required after assembly. Steel reinforced, with forklift rails molded into unit.

Item No	Model	Weight
SA24PF	Standard 24" Fireplace Footing	320
SA24PF-ST	See-Thru 24" Fireplace Footing	420
SA36PF	Standard 36" Fireplace Footing	540
SA36PF-ST	See-Thru 36" Fireplace Footing	640
SA48PF	Standard 48" Fireplace Footing	640
SA48PF-ST	See-Thru 48" Fireplace Footing	750
SA39PF	New Age™ 39" Fireplace Footing	540
SA45PF	New Age™ 45" Fireplace Footing	600
SA51PF	New Age™ 51" Fireplace Footing	640
SA-MPO-36PF	Mezzo™ Pizza Oven Footing	320
SA-APO-48PF	Amerigo™ Pizza Oven Footing	580

Refer to Section 10 of Price List

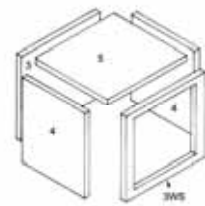
Fireplace Wood Storage Boxes

Stone Age Wood Storage Boxes are an alternative to conventional wood storage arrangements, and create the foundation for a wide range of custom fireplace profiles. Available for Standard, Contractor Series, and New Age™ models, with arched and square openings, or with no opening for custom arches or other modification. 36" wide, 36" tall, 33" deep for Standard Fireplaces, NA models are 30" deep for New Age™ fireplaces.

Item No	Model	Weight
SA-WCA	Standard Fireplace, Arched Opening	585
SA-WCS	Standard Fireplace, Square Opening	585
SA-WCN	Standard Fireplace, No Opening	650
SA-WCA-NA	New Age™ Fireplace, Arched Opening	585
SA-WCS-NA	New Age™ Fireplace, Square Opening	585
SA-WCN-NA	New Age™ Fireplace, No Opening	650

Refer to Sections 5 & 7 of Price List

Recommended Accessories: Wood cabinet doors, Stone Age Multi-Purpose Ready-Mix.

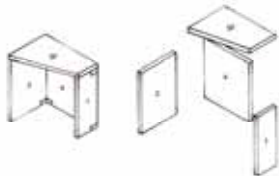


Angled Storage Adapter Kits

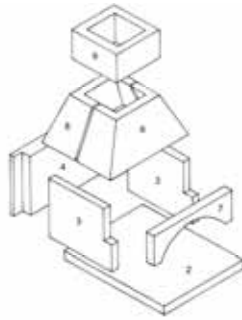
Angled Storage Adapter kits facilitate the installation of side-mounted wood storage boxes for angled or corner-mounted fireplaces, creating another unique customization option. Kit top angle is 22.5°, and may be field modified down to 45°.

Item No	Model	Weight
SA-WAA	Angled Storage Adapter Kit- Standard	155
SA-WAA-NA	Angled Storage Adapter Kit-New Age™	155

Refer to Sections 5 & 7 of Price List



### Stone Age Brick Oven



Stone Age Brick Ovens are the perfect complement to our other outdoor kitchen components, and allow the outdoor chef unlimited cooking flexibility while incorporating the taste of real wood.

Optional glass doors, top-mount dampers, and cooking grates are available, for more precise temperature control and greater cooking flexibility.

Available with 25" firebox opening width, 26" depth. Firebox opening height is 21", with arched lintel.

Item No	Model	Weight
SA-BO	Stone Age Brick Oven	1600

Refer to Section 11 of Price List

**Recommended Accessories:** Glass doors, top-mount damper, cooking grates, Hoeloe fire tool, Stone Age Multi-Purpose Ready-Mix.

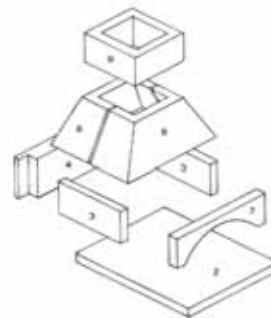
### Vecchio™ Pizza Oven

The Vecchio™ Pizza Oven offers the fun and flavor of traditionally-cooked pizza, in a smaller, easy-to-manage footprint that integrates perfectly with our Cabinet Component System™. Add the optional top-mount damper for more precise temperature control and greater cooking flexibility.

Available with 25" firebox opening width, 28" depth. Firebox opening height is 9", with arched lintel.

Item No	Model	Weight
SA-VPO-34	Vecchio™ Pizza Oven	1100

Refer to Section 11 of Price List



**Recommended Accessories:** Top-mount damper, Pizza cooking tools, Hoeloe fire tool, Stone Age Multi-Purpose Ready-Mix.

### Mezzo™ Pizza Oven

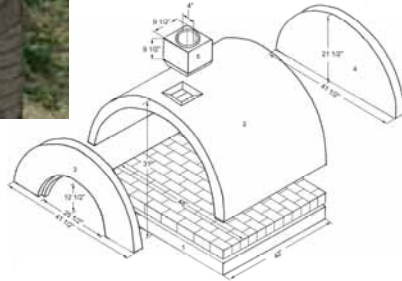


The Mezzo™ Pizza Oven offers the same old world flavor of the Amerigo™ in a smaller package that fits the depth of our Cabinet Component System™ island kits, and features an arched cooking chamber with over 800 square inches of cooking surface. Cooking surface measures 27" deep by 30" wide. Kits include firebrick, 9" chimney flue and metal oven door.

Item No	Model	Weight
SA-MPO-36	Mezzo™ Pizza Oven	1150

Refer to Section 11 of Price List

**Recommended Accessories:** Wood-clad door, pizza cooking tools, Hoeloe fire tool, Stone Age Multi-Purpose Ready-Mix.



### Amerigo™ Pizza Oven

The Amerigo™ Pizza Oven has everything you need for old world pizza cooking and more. Featuring an arched cooking chamber and over 1500 square inches of cooking surface, the Amerigo™ complements any outdoor kitchen. Cooking surface measures 36" deep by 42" wide. Kits include firebrick, 9" chimney flue and metal oven door.

Item No	Model	Weight
SA-APO-48	Amerigo™ Pizza Oven	1650

Refer to Section 11 of Price List

**Recommended Accessories:** Wood-clad door, pizza cooking tools, Hoeloe fire tool, Stone Age Multi-Purpose Ready-Mix.

### Amerigo™ Pizza Oven Inner Liner, Access Tunnel & Baseplate Extension Kits

The Amerigo™ Pizza Oven is now easily customizable for the discerning chef.

A one-piece refractory concrete Inner Liner kit with ceramic blanket delivers exceptional insulating properties for increased heating efficiency.

The Tunnel kit creates a traditional entry landing, while lowering and bringing forward the chimney for greater heating control in the front of the oven.

The Base Plate Extension kit creates an extended hearth and landing area, and also facilitates installation of the Tunnel kit. Includes firebrick.

Item No	Model	Weight
SA-APO48-IL	Inner Liner Kit	300
SA-APO48-ATWC	Tunnel Kit	315
SA-APO48-BPE	Base Plate Extension	215

Refer to Section 11 of Price List

New

Tunnel Kit



Inner Liner Kit



Base Plate Extension Kit

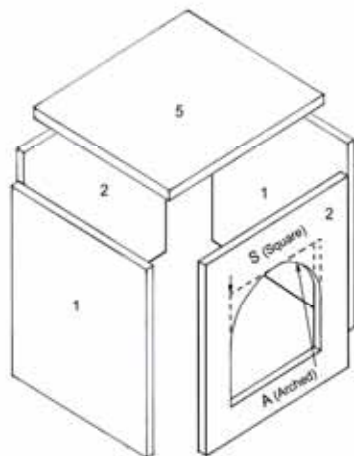


### Amerigo™ & Mezzo™ Pizza Oven Cabinets

Using the same technology as our Cabinet Component System™, the Amerigo™ and Mezzo™ Pizza Oven Cabinets create a solid base with plenty of storage, and are offered with an arched or square opening, or without opening, for custom configurations. Cabinets for both pizza oven models are 44" tall, giving a cooking surface height of approximately 50".

Item No	Model	Weight
SA-PCA-48	Amerigo™ Cabinet, Arched	1120
SA-PCS-48	Amerigo™ Cabinet, Square	1120
SA-PCN-48	Amerigo™ Cabinet, No Opening	1120
SA-MCA-36	Mezzo™ Cabinet, Arched	670
SA-MCS-36	Mezzo™ Cabinet, Square	670
SA-MCN-36	Mezzo™ Cabinet, No Opening	735

Refer to Section 12 of Price List



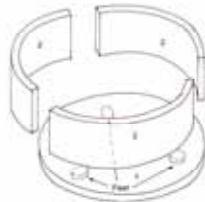
Stone Age Fire Pits

Stone Age offers a wide selection of fire pits for any setting. Simple, three to five piece construction greatly speeds up installations. All models now feature extended baseplates with molded feet, which may be used to allow movement after assembly or to create clearance and airflow under the unit, as required for installations on wooden structures, or the base may be positioned to place the feet inside the pit if not needed. Three round configurations are available, plus a square model, and optional extension kits to create a rectangular fire pit. Lining with firebrick is recommended for wood burning applications.

Refer to Section 13 of Price List

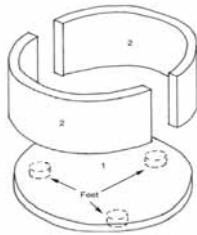
Item No SA-LRP Model Large Round Dimensions 48" w x 18" t, 42" I.D. 20 1/2" t with feet Weight 700

SA-LRP



Item No SA-TRP Model Tall Round Dimensions 42" w x 25" t, 36" I.D. 27 1/2" t with feet Weight 620

SA-TRP



Item No SA-SRP Model Short Round Dimensions 42" w x 14" t, 36" I.D. 16 1/2" t with feet Weight 480

SA-SRP



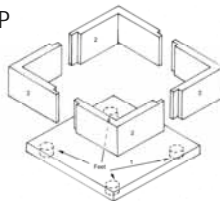
Item No SA-SQP Model Square Dimensions 42" w x 42" w x 15" t, 36" I.D. 17 1/2" t with feet Weight 650

SA-EXT

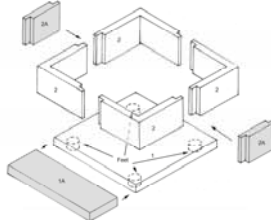
Extension Kit—adds 12" width to square pit

100

SA-SQP



SA-EXT



SA-SQP

**Recommended Accessories:** Fire pit grate sets, top-mount expanded metal cooking grates, top-mount slotted decorative/cooking grates, solid metal fire pit cover, Stone Age Multi-Purpose Ready-Mix

New Age™ Indoor Fireplaces

New Age™ Indoor fireplaces provide Stone Age performance, quality and durability in a form factor optimized for indoor applications.

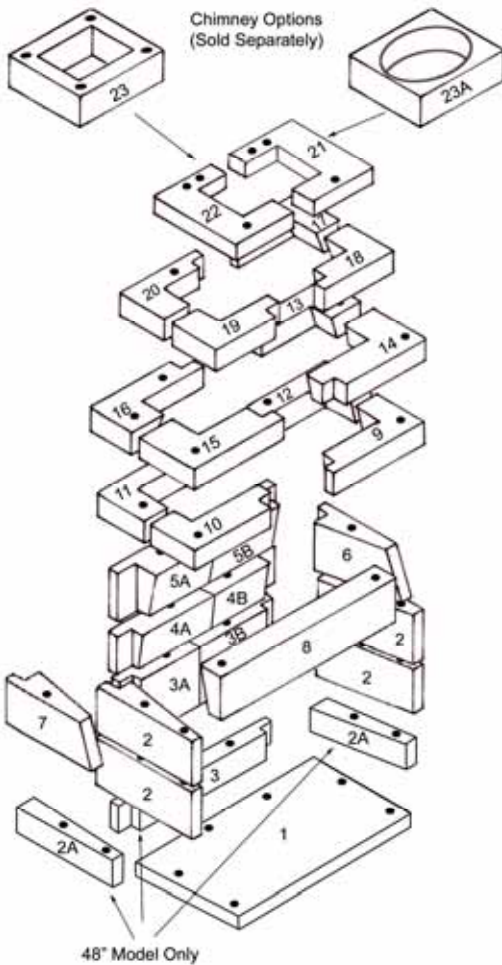
New Age™ models are tested to UL-127/ULC-S610 and UL-103, and are certified as zero-clearance fireplaces, allowing framing directly to the units, if desired, and may be used with our concrete chimney flue sections or with UL-103 metal flue systems.

Available with 36", 42", 48" 60" and 72" firebox opening width. Firebox opening heights are 27" for 36 - 42" kits, 32" for 48" kits, and 41" for 60" - 72" kits. Offered with straight lintel only.

Item No	Model	Weight
NA36IND	36" New Age™ Indoor	2300
NA42IND	42" New Age™ Indoor	2500
NA48IND	48" New Age™ Indoor	2860
NA60IND	60" New Age™ Indoor	3900
NA72IND	72" New Age™ Indoor	4900

Refer to Section 14 of Price List

NA36IND



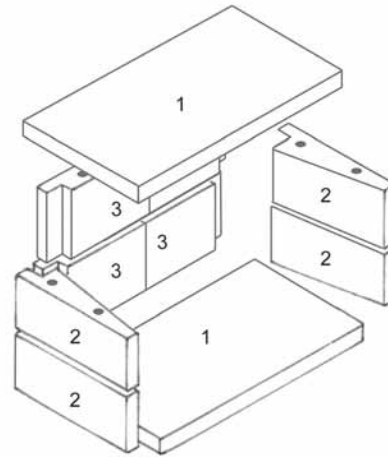
**Recommended Accessories:** Full firebrick, Stone Age Multi-Purpose Ready-Mix, throat-mount damper, concrete chimney flue, clay flue tile, or metal chimney adapter and flue.

**New Age™ Vent-Free Fireplaces**

New Age™ Vent-Free fireplaces give you Stone Age quality in a true masonry fireplace option for vent-free applications. Available with 36" or 42" firebox opening width. Firebox opening height is 28".

Item No	Model	Weight
NA36VF	36" New Age™ Vent-Free	1500
NA42VF	42" New Age™ Vent-Free	1725

Refer to Section 15 of Price List



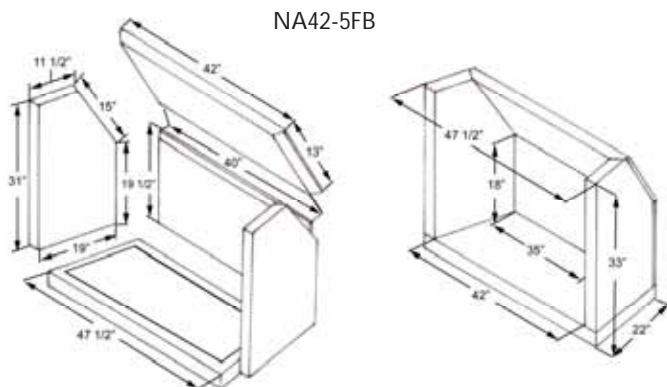
**New Age 5 - Piece Indoor Fireboxes**

New Age™ 5-piece fireboxes allow the experienced mason to greatly speed up the process of scratch-building a fireplace, by removing one of the most labor-intensive steps, creation of the firebox from firebrick. Using our high-temperature refractory concrete, with an integral buff color, the 5-piece firebox can be assembled in minutes. 2-1/2" thick walls provide plenty of insulation, and isolate the heat of the fire from the cinderblock behind it.

Available with 36" or 42" firebox opening width.

Item No	Model	Weight
NA36-5FB	36" New Age™ 5-Piece Firebox	400
NA42-5FB	42" New Age™ 5-Piece Firebox	460

Refer to Section 16 of Price List



**Indoor Fireplace Chimney & Chimney Accessories**

New Age™ Indoor models are designed to use masonry or UL-103 rated metal chimney flue, and Stone Age has a wide range of chimney components to simplify installation of even the most unique fireplace projects. Clay flue tiles form the heart of the chimney system, with our refractory concrete outer chimney blocks providing the necessary insulation to create a zero-clearance chimney system. A brick ledge is available, to allow masonry finish application to the chimney, without using expensive finish materials in areas where they would not be visible. Offset blocks allow the mason to construct an angled masonry chimney when required for custom applications. For installations where a metal chimney system is preferable, Stone Age offers a masonry-to-metal flue adapter (also called an anchor plate) for use with UL-103 rated metal chimney components.

**Refer to Section 17 of Price List**

**Clay Flue Tile**

Item No	Model	Weight
SAFL1313	12"t, 13" x 13"w Clay Tile Section, 36" fireplace	40
SAFL1317	12"t, 13" x 17"w Clay Tile Section, 42"- 72" fireplace	63

SAFL1317



**Chimney Blocks**

Item No	Model	Weight
SA2323-8	8"t, 23" x 23"w Chimney Blocks, 36" fireplace	116
SA2226-8	8"t, 22" x 26"w Chimney Blocks, 42"- 72" fireplace	120

SA2226-8



**Brick Ledges**

Item No	Model	Weight
SA-BL36	33 1/2" x 33 1/2"w Ledge	150
SA-BL4248	36" x 32"w Ledge	160

SA-BL4248



**Offset Chimney Blocks**

Item No	Model	Weight
SA-OSB	4"t Chimney Blocks, allow 2" of offset per block	76

SA-OSB



**UL-103 Metal Chimney Flue**

Item No	Model	Weight
SA-16PPG	16"w x 36"t Insulated, Galvanized, Double-wall Flue	43
SA-16PPSS	16"w x 36"t Insulated, Stainless Steel, Double-wall Flue	46
SA-16APG	16"w x 36"t Air-Cooled, Galvanized, Double-wall Flue	43

SA-16APG

SA-16PPSS



**Metal Chimney Flue Adapter (Anchor Plate)**



Item No	Model	Weight
SA-16PA	16"w Metal Flue Adapter	70

SA-16PA



**Chimney Dampers**

Stone Age offers two styles of chimney dampers, top-mount models, for use with Standard Stone Age Fireplaces, Contractor Series fireplaces, Vecchio™ pizza ovens or brick ovens, which use a stainless steel cable actuator inside the chimney flue, or throat-mount models with internal lever control, for use with the New Age™ indoor fireplace only.

Item No	Model	Weight	
SA-CF12113	Top-Mount Damper, 13" x 13", 24" Fireplaces, Vecchio™ & Brick Ovens	7	SA-CF12113
SA-CF12117	Top-Mount Damper, 17" x 17", 36" & 48" Fireplaces	15	
SA-CF12118	Top-Mount Damper, 13" x 17", all New Age™ Fireplace Models	10	
SA-V936	Throat-Mount Damper, Cast Iron, 36" New Age™ Indoor Fireplaces	60	
SA-V942	Throat-Mount Damper, Cast Iron, 42" New Age™ Indoor Fireplaces	70	
SA-V948	Throat-Mount Damper, Cast Iron, 48" New Age™ Indoor Fireplaces	80	
SA-V360	Throat-Mount Damper, Cast Iron, 60" New Age™ Indoor Fireplaces	75	
SA-V372	Throat-Mount Damper, Cast Iron, 72" New Age™ Indoor Fireplaces	100	

Refer to Section 18 of Price List

**Fireplace Clean Out Accessories and Outside Air Kits**

Universal ash dump and clean out doors are available for use with any Stone Age Fireplace or oven model, and simplify ash removal with any wood burning product. Universal Outside air kits are suitable for use with indoor fireplaces and are helpful in newer, energy-efficient homes, where good combustion airflow may not always be available.

Item No	Model	Weight	Opening Dimensions
SA-AD	Fireplace Ash Dump Door - Universal	2	4 1/2" x 9"
SA-COD	Fireplace Clean Out Door - Universal	3	10" x 8"
SA-OAK	Fireplace Outside Air Kit - Universal	16	4 1/2" x 9" interior, 4" x 9" exterior, length adjustable

Refer to Section 18 of Price List



**Fire Screens & Fireplace Grates**

Fire Screens, Log and Cooking Grates are the perfect accessories for any Stone Age Fireplace, and add beauty and functionality. All items feature heavy, carbon steel construction with black, high-temperature finish.

Item No	Model	Weight
SA-CC18	18" Cooking Crane for Fireplaces & Brick Ovens	6
SA-D8927-6	27" w x 15" d Steel Log Grate, 36" Fireplaces	30
SA-FS36A	Fire Screen for 36" Fireplaces, Arched Top	26
SA-FS39S	Fire Screen for 39" Fireplaces, Straight Top	31
SA-FS45S	Fire Screen for 45" Fireplaces, Straight Top	36
SA-FS48A	Fire Screen for 48" Fireplaces, Arched Top	41
SA-FS51S	Fire Screen for 51" Fireplaces, Straight Top	46
SA-HY15	15 1/4" w x 9" d Steel Log Grate, Veranda™ Fireplaces	12
SA-24CG	20" w x 18" d x 15" t Cooking Grate, 24" Fireplaces	10
SA-36CG	32" w x 18" d x 15" t Cooking Grate, 36" Fireplaces	15
SA-48CG	44" w x 18" d x 15" t Cooking Grate, 48" Fireplaces	20
SA-CC24	24" Cooking Crane for Fireplaces & Brick Ovens	7
SA-FS24A	Fire Screen for 24" Fireplaces, Arched Top	22

Note: Cooking grates are used in addition to log grates, and should be placed directly above the log grate.

Refer to Section 19 of Price List

Chimney Caps

A variety of chimney caps are available for our fireplaces, brick ovens and pizza ovens. Standard, flat-top chimney caps with mesh screening are available in black galvanized steel, stainless steel, or copper. Three styles of decorative copper chimney caps are available for use with all fireplaces models except the Veranda™, and our new, heavy duty, black steel model is available for our Standard and New Age™ fireplaces, and features the Stone Age logo in the screen pattern, or is available with custom logos by special order.

Standard Chimney Caps

Item No	Model	Weight
SA-BBT1010	Black Galvanized, Veranda™, Amerigo™ & Mezzo™	9
SA-CBO1313	Black Galvanized, 24" Fireplaces & Ovens	10
SA-CBO1318	Black Galvanized, New Age™ Fireplaces	12
SA-CBO1818	Black Galvanized, 36" & 48" Fireplaces	15
SA-CBSAM22	Heavy Duty Black Steel, with Stone Age logo, 22" w x 16" t	24
SA-BT1010	Stainless Steel, Veranda™, Amerigo™ & Mezzo™	9
SA-SS1313U	Stainless Steel, 24" Fireplaces & Ovens	10
SA-SS1318U	Stainless Steel, New Age™ Fireplaces	11
SA-SS1818U	Stainless Steel, 36" & 48" Fireplaces	13
SA-CBT1010	Copper, Veranda™, Amerigo™ & Mezzo™	9
SA-CP1313	Copper, 24" Fireplaces & Ovens	10
SA-CP1318	Copper, New Age™ Fireplaces	12
SA-CP1818	Copper, 36" & 48" Fireplaces	15

SA-CBO1313



SA-SS1313U



SA-CP1313



Decorative Copper Chimney Caps

Item No	Model	Weight
SA-FTCC	Copper, Finial Shape, 42" tall	30
SA-FTCC-SM	Copper, Finial Shape, Small	30
SA-FCCC	Copper, French Curve Shape, 38" tall	30
SA-FCCC-SM	Copper, French Curve Shape, Small	30
SA-HCC	Copper, Hip Shape, 21" tall	30
SA-HCC-SM	Copper, Hip Shape, Small	30

SA-CBSAM22



Hip, Finial and French Curve Decorative caps now available for all fireplaces and ovens.

SA-FTCC

Refer to Section 20 of Price List

SA-HCC



SA-FCCC



**Fire Pit Burners (Fire Rings) & Fire Pit Pan**

Fire pit burners, also called fire rings, are offered in standard carbon steel or stainless steel. Fire pans are available to further simplify installation of fire pit burner systems, and are designed for use with our Tall Round fire pit with recessed lip.

Item No	Model	Weight
SA-FR12	12" Carbon Steel Ring Burner	2
SA-FR24	24" Carbon Steel Ring Burner	4
SA-FR30	30" Carbon Steel Ring Burner	9
SA-FRS30	30" Stainless Steel Ring Burner	9
SA-FRS2421	24" x 21" Stainless Steel, Rectangle	5
SA-HPSSFP	37" Stainless Steel Fire Pit Pan, for Tall Round Fire Pit	20



Refer to Section 21 of Price List

**Fire Pit Ring Burner Kits**

Fire pit burner kits are the most popular gas option, as these include the burner system, gas valve, key and necessary hardware. Fire pit burner kits are available in carbon or stainless steel, and propane conversion kits are also available.

Item No	Model	Weight
SA-FP24KIT	24" Carbon Steel Ring Burner Kit, Natural Gas	9
SA-FP30KIT	30" Carbon Steel Ring Burner Kit, Natural Gas	12
SA-FPS30KIT	30" Stainless Steel Ring Burner Kit, Natural Gas	12
SA-FPSR2421KIT	24" x 21" Stainless Steel, rectangle kit, Natural Gas	8
SA-CPKIT	Propane Conversion Kit for Natural Gas Burner Systems	2



Refer to Section 22 of Price List

**Firestar Fire Pit Burners & Kits**

Firestar burners offer a unique option for fire pits, with porting designed to direct more flame to the center areas of the burner, which provides enhanced flame height, and also keeps the edges of the fire pit cooler, helping to prevent heat stress cracking in coping materials. The Firestar's porting configuration also helps minimize water accumulation in the exposed burner. Packaged as burners only, or as complete kits, with burner, plumbing hardware and key valve. Propane conversion kits also available.

Item No	Model	Weight
SA-DFS-24	24" Stainless Steel Star Burner, Natural Gas	8
SA-DFS-30	30" Stainless Steel Star Burner, Natural Gas	10
SA-DFS-36	36" Stainless Steel Star Burner, Natural Gas	19
SA-DFS-24KIT	24" Stainless Steel Star Burner Kit, Natural Gas	8
SA-DFS-30KIT	30" Stainless Steel Star Burner Kit, Natural Gas	10
SA-DFS-36KIT	36" Stainless Steel Star Burner Kit, Natural Gas	19
SA-DFS-LPK18/24	24" Propane Conversion Kit	1
SA-DFS-LPK30/36	30" Propane Conversion Kit	1



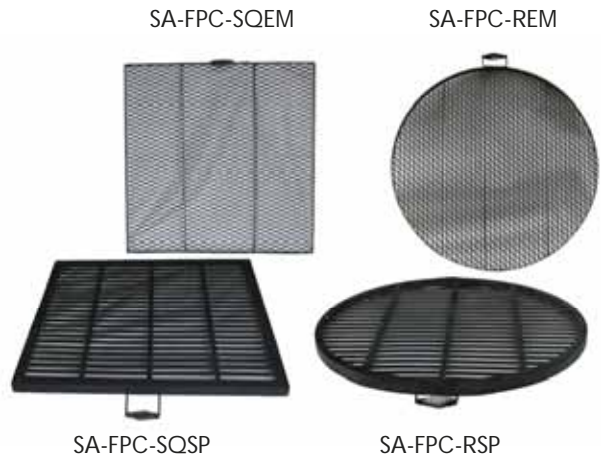
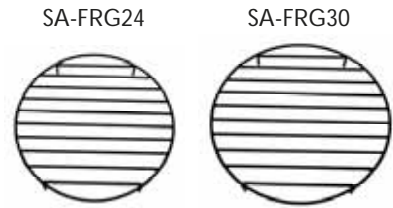
Refer to Section 23 of Price List

**Fire Pit Decorative, Cooking & Log Grates**

Log grates elevate the logs inside the fire pit, allowing more airflow through the fire for more complete combustion, and are available in two sizes, to fit any Stone Age fire pit model. Stone Age Decorative cooking grates feature an attractive, slotted pattern, while standard Cooking grates feature a diamond pattern, to allow placement of smaller food items directly on the grate. All grates are constructed of welded carbon steel, and have a high-temperature black finish.

Item No	Model	Weight
SA-FRG24	24" Round Fire Pit Log Grate	13
SA-FRG30	30" Round Fire Pit Log Grate	23
SA-FPC-SQEM	Square Top-Mount Cooking Grate	40
SA-FPC-SQSP	Square Decorative Slotted Grate	40
SA-FPC-REM	Round Top-Mount Cooking Grate	40
SA-FPC-LREM	Large Round Top-Mount Cooking Grate	45
SA-FPC-RSP	Round Decorative Slotted Grate	40
SA-FPC-LRSP	Large Round Decorative Slotted Grate	45

Note: Round top-mount grates are 38" in diameter, large round grates are 44" in diameter. All square top-mount grates are 38" across. 30" Round log grates are used with the square fire pit model.



Refer to Section 24 of Price List

**Fire Pit Covers**

Fire pit covers help prevent moisture accumulation inside the unit when not in use, and also give a clean, finished look. Our two-piece, 1/8" carbon steel covers have four welded metal handles, for easy placement and removal, and have a high-temperature black finish.

Note: Round covers are 41" in diameter, large round covers are 47" in diameter. Square covers are 41" across.

Item No	Model	Weight
SA-FPC-R	2-Piece, Black Steel, Standard Round Pits	52
SA-FPC-LR	2-Piece, Black Steel, Large Round Pits	64
SA-FPC-SQ	2-Piece, Black Steel, Square Pits	75



Refer to Section 24 of Price List

**Brick Oven Glass Doors**

Glass doors are a great addition to the Stone Age Brick Oven, providing better temperature control and a clean, finished look. Available in single or double pane models.

Item No	Model	Weight
SA-ASDBO	Single Pane Glass Door for Brick Oven	30
SA-ADDBO	Double Pane Glass Door for Brick Oven	30



Refer to Section 25 of Price List

**Pizza Oven & Wood Storage Doors**

Stone Age oven and wood storage doors provide the finishing touch for the outdoor room. Metal doors finished in black high-heat paint are included with Mezzo™ and Amerigo™ pizza ovens, with beautiful wood-clad metal doors available as an option. Matching wood doors are offered for all wood storage cabinets. All wood doors are offered in solid cedar, with a natural (clear) finish, dark cedar stain, or unfinished.

Item No	Model	Weight
SA-APODA-ML	Amerigo™ 1/8" Steel Door, Standard	18
SA-APODA-CR	Amerigo™ Wood-Clad Oven Door, Cedar Stain	20
SA-APODA-NT	Amerigo™ Wood-Clad Steel Door, Natural	20
SA-APODA-UN	Amerigo™ Wood-Clad Steel Door, Unfinished	20
SA-MPODA-ML	Mezzo™ 1/8" Steel Door, Standard	8
SA-MPODA-CR	Mezzo™ Wood-Clad Oven Door, Cedar Stain	10
SA-MPODA-NT	Mezzo™ Wood-Clad Steel Door, Natural	10
SA-MPODA-UN	Mezzo™ Wood-Clad Steel Door, Unfinished	10
SA-PCDA-CR	Wood Cabinet Door, Arched, Cedar Stain	18
SA-PCDA-NT	Wood Cabinet Door, Arched, Natural	18
SA-PCDA-UN	Wood Cabinet Door, Arched, Unfinished	18
SA-PCDS-CR	Wood Cabinet Door, Square, Cedar Stain	18
SA-PCDS-NT	Wood Cabinet Door, Square, Natural	18
SA-PCDS-UN	Wood Cabinet Door, Square, Unfinished	18
SA-FPDR24-CR	24" Fireplace Wood Box Door, Cedar Stain	18
SA-FPDR24-NT	24" Fireplace Wood Box Door, Natural	18
SA-FPDR24-UN	24" Fireplace Wood Box Door, Unfinished	18
SA-FPDR36-CR	36" Fireplace Wood Box Door, Cedar Stain	20
SA-FPDR36-NT	36" Fireplace Wood Box Door, Natural	20
SA-FPDR36-UN	36" Fireplace Wood Box Door, Unfinished	20
SA-FPDR48-CR	48" Fireplace Wood Box Door, Cedar Stain	22
SA-FPDR48-NT	48" Fireplace Wood Box Door, Natural	22
SA-FPDR48-UN	48" Fireplace Wood Box Door, Unfinished	22



Refer to Sections 25, 26 & 27 of Price List

**Pizza & Fire Management Tools**

Stone Age pizza oven tools are the perfect complement to our cooking product line, and assist the outdoor chef in creating and serving the perfect pizza. Fire management tools allow safe and easy handling of wood, coals and ash within the oven, fireplace or fire pit.

**Pizza Tools**

Item No	Model	Weight
SA-SSPG	Pizza Pan Gripper Tool	1
SA-10APP	10" Aluminum Pizza Pan	1
SA-14APP	14" Aluminum Pizza Pan	1
SA-BP	43" Aluminum Bubble Popper	2
SA-POB	42" Wooden-Handle Ash Brush	2
SA-SSPD	48" Stainless Steel Turning Paddle	4
SA-42WPP	42" x 20" Wooden Pizza Peel	4
SA-52APP	52" Aluminum & Wood Pizza Peel	2
SA-INFTH	Infrared Thermometer, -4° to 968° F	1

**Pizza Tools**



**Fire Management Tools**

SA-HJJR	30" HoeJoe JR Fire Management Tool	3
SA-HJ	63" HoeJoe Fire Management Tool	4

Refer to Section 28 of Price List

**Fire Management Tools**



Stone Age Multi-Purpose Ready-Mix

Stone Age Multi-Purpose Ready-Mix is a newly-developed, comprehensive blend of refractory mortar and other additives, specifically formulated for the construction and finishing of all Stone Age products. Designed to withstand the high temperature conditions encountered by wood burning hearth products, Stone Age Multi-Purpose Ready-Mix provides superior performance in fireplace, fire pit or oven joints, as well as firebrick installation, and allows plenty of working time without the risk of flash setting. The Stone Age Ready-Mix incorporates a bonding agent to facilitate the adhesion of finishing materials on any Stone Age hearth product or kitchen island kit, and is also formulated for low moisture absorption after curing. A complete, start-to-finish mortar blend in a single package, simply mix with water and you are ready to assemble and finish any project, large or small. Approximately one hour working time, and the mix may be rewetted once per use.



Item No	Model	Weight
SA-APRM	Multi-Purpose Ready-Mix Mortar, 5 Gallons	60

Refer to Section 29 of Price List

Mortar Additives & Firebrick

Stone Age offers multiple firebrick options, adhesive for the Cabinet Component System™ and Veranda™ kits, and our original high-temperature additive for replacement in our older fireplace kits.

Item No	Model	Weight
SA-HTM	High-Temperature Powder Mortar Additive	10
SA-STX1	Sonolastic® adhesive, for Veranda™ & Cabinet Component System™	1
SA-S1001	Firebrick - Splits, 9" x 4 1/2" x 1 1/4"	4
SA-S1006	Firebrick - Full Size, 9" x 4 1/2" x 2 1/2"	8
SA-S1001R	Firebrick - Splits, Red, 9" x 4 1/2" x 1 1/4"	4
SA-S1006R	Firebrick - Full Size, Red, 9" x 4 1/2" x 2 1/2"	8



SA-HTM



SA-STX1



Refer to Section 29 of Price List

Stone Age Refractory Panel Kits



Stone Age Refractory Panel Kits were created to replace the traditional firebrick in our outdoor fireplace kits, greatly speeding up kit assembly, while removing one of the more challenging aspects of fireplace installation for the non-mason. Colored with an integral pigment that captures the look of real firebrick wall and fireclay. Available for Standard, Contractor and New Age™ Outdoor fireplace models.

Item No	Model	Weight
SA-RPK24	Refractory Panel Kit for 24" Standard fireplaces	240
SA-RPK36	Refractory Panel Kit for 36" Standard fireplaces	285
SA-RPK39	Refractory Panel Kit for 39" New Age™ fireplaces	305
SA-RPK45	Refractory Panel Kit for 45" New Age™ fireplaces	320
SA-RPK48	Refractory Panel Kit for 48" Standard fireplaces	335
SA-RPK51	Refractory Panel Kit for 51" New Age™ fireplaces	355

Refer to Section 29 of Price List

Bad Ash Fireplace Cleaner



The Bad Ash Fireplace Cleaner attaches to standard vacuum cleaners (not included), allowing fireplace ash to be cleaned without damage to the vacuum, and conveniently stored in the canister for easy disposal. Use with cold ash only.

Item No	Model	Weight
SA-BASH	Bad Ash Vacuum Attachment	6

Refer to Section 18 of Price List

### Cabinet Component System™ Construction Overview

The Cabinet Component System™ creates infinitely configurable kitchen islands, featuring our patented, glass fiber reinforced concrete panels and bracket system. Kitchen Island installations are greatly simplified, giving faster build times and lower labor cost, while delivering strength and durability far superior to any other system available. Kits may be combined or modified to create custom designs or fit unique applications. Basic assembly takes minutes, and appliance openings may be cut immediately after the panels are set, using standard masonry saw blades. Finishing may begin immediately after cutting has been completed, and appliance installation may start as soon as the finish materials have dried.

For best results, Stone Age recommends using our Sonolastic® adhesive for all Cabinet Component System™ installations.

SA-STX1



Step 1 - Place lower bracket and raise first panel.



Step 2 - raise next panel, running a bead of Sonolastic® adhesive at joints.



Step 3 - Place upper bracket at joints. Upper brackets give strength and rigidity while keeping walls correctly spaced.



Step 4 - Continue raising side panels, using Sonolastic® adhesive and brackets.



Step 5 - Place end panel and final end bracket.



Step 6 - Place top panels and backsplash kits, if applicable. Shown with bar top backsplash.



**Estimated Time for Construction Steps 1 - 6 as Shown:  
20 Minutes for Experienced Installer.**

Step 7 - Mark and cut appliance openings to specifications of appliance manufacturer, using construction marker and standard masonry saw blades.



Time required to mark and cut appliance openings will vary, depending upon the number of appliances and their layout in the island.

Similarly, time to finish will vary depending upon the type of finish to be applied.

Finished installation of unit shown at left.





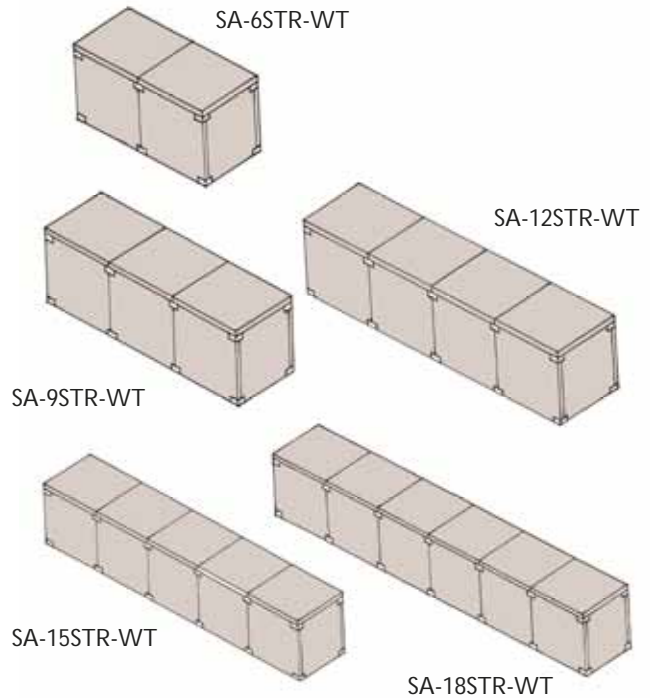
STR Series

The STR Series straight islands are available in lengths of 6, 9, 12, 15 and 18, and like all Cabinet Component System™ islands, may be expanded by combining multiple kits.

Item No	Model	Weight
SA6STR-WT	6' Straight Island with Top	1120
SA6STR-WOT	6' Straight Island without Top	870
SA9STR-WT	9' Straight Island with Top	1500
SA9STR-WOT	9' Straight Island without Top	1125
SA12STR-WT	12' Straight Island with Top	1980
SA12STR-WOT	12' Straight Island without Top	1480
SA15STR-WT	15' Straight Island with Top	2475
SA15STR-WOT	15' Straight Island without Top	1850
SA18STR-WT	18' Straight Island with Top	2970
SA18STR-WOT	18' Straight Island without Top	2220

Kits are 33"d x 36"t (WT ) or 33"d x 34"t (WOT)

Refer to Section 30 of Price List



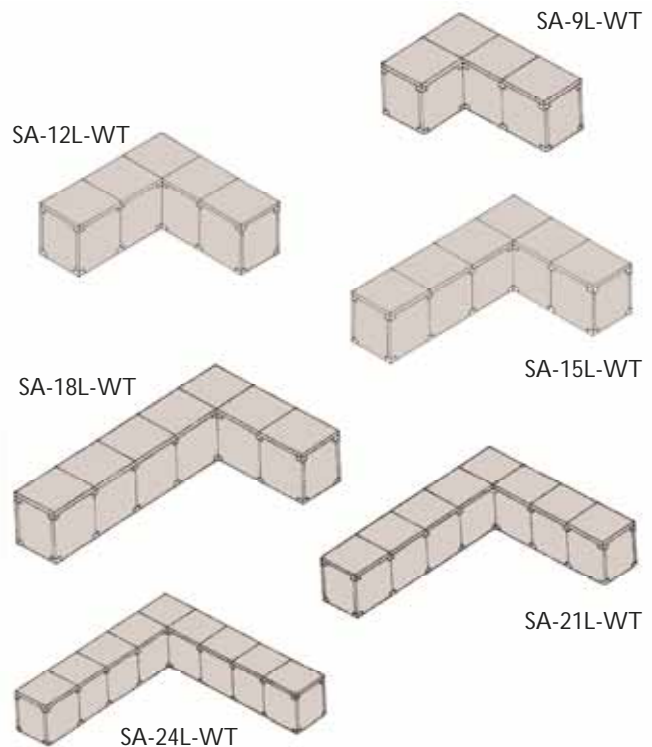
L Series

L Series islands are available in 9, 12, 15, 18, 21 and 24 foot lengths. Sizing refers to the approximate length of the inside or shorter angles of the unit.

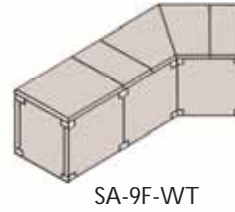
Item No	Model	Weight
SA9L-WT	9' L Island with Top	1860
SA9L-WOT	9' L Island without Top	1360
SA12L-WT	12' L Island with Top	2180
SA12L-WOT	12' L Island without Top	1555
SA15L-WT	15' L Island with Top	2520
SA15L-WOT	15' L Island without Top	1770
SA18L-WT	18' L Island with Top	3240
SA18L-WOT	18' L Island without Top	2365
SA21L-WT	21' L Island with Top	3780
SA21L-WOT	21' L Island without Top	2780
SA24L-WT	24' L Island with Top	4320
SA24L-WOT	24' L Island without Top	3195

Kits are 33"d x 36"t (WT ) or 33"d x 34"t (WOT)

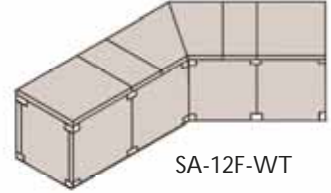
Refer to Section 31 of Price List



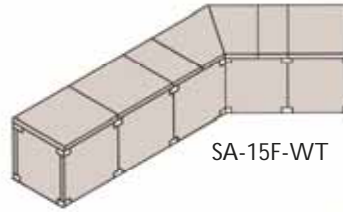
F Series



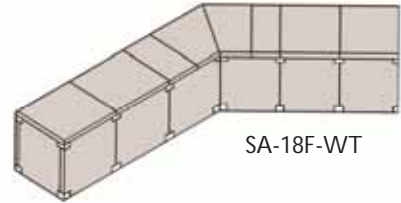
SA-9F-WT



SA-12F-WT



SA-15F-WT



SA-18F-WT

F Series or fanfold islands are offered in 9, 12, 15 and 18 foot lengths. Sizing refers to the approximate length of the inside or shorter angles of the unit.

Item No	Model	Weight
SA9F-WT	9' Fanfold Island with Top	1530
SA9F-WOT	9' Fanfold Island without Top	980
SA12F-WT	12' Fanfold Island with Top	2100
SA12F-WOT	12' Fanfold Island without Top	1425
SA15F-WT	15' Fanfold Island with Top	2550
SA15F-WOT	15' Fanfold Island without Top	1750
SA18F-WT	18' Fanfold Island with Top	3060
SA18F-WOT	18' Fanfold Island without Top	2135

Kits are 33"d x 36"t (WT ) or 33"d x 34"t (WOT)

Refer to Section 32 of Price List

FF Series



SA-9FF-WT



SA-12FF-WT



SA-15FF-WT



SA-18FF-WT

FF Series or double-fanfold islands are available in 9, 12, 15 and 18 foot lengths. Sizing refers to the approximate length of the inside or shorter angles of the unit.

Item No	Model	Weight
SA9FF-WT	9' Double Fanfold Island with Top	1530
SA9FF-WOT	9' Double Fanfold Island without Top	980
SA12FF-WT	12' Double Fanfold Island with Top	2100
SA12FF-WOT	12' Double Fanfold Island without Top	1425
SA15FF-WT	15' Double Fanfold Island with Top	2550
SA15FF-WOT	15' Double Fanfold Island without Top	1750
SA18FF-WT	18' Double Fanfold Island with Top	3060
SA18FF-WOT	18' Double Fanfold Island without Top	2135

Kits are 33"d x 36"t (WT ) or 33"d x 34"t (WOT)

Refer to Section 33 of Price List

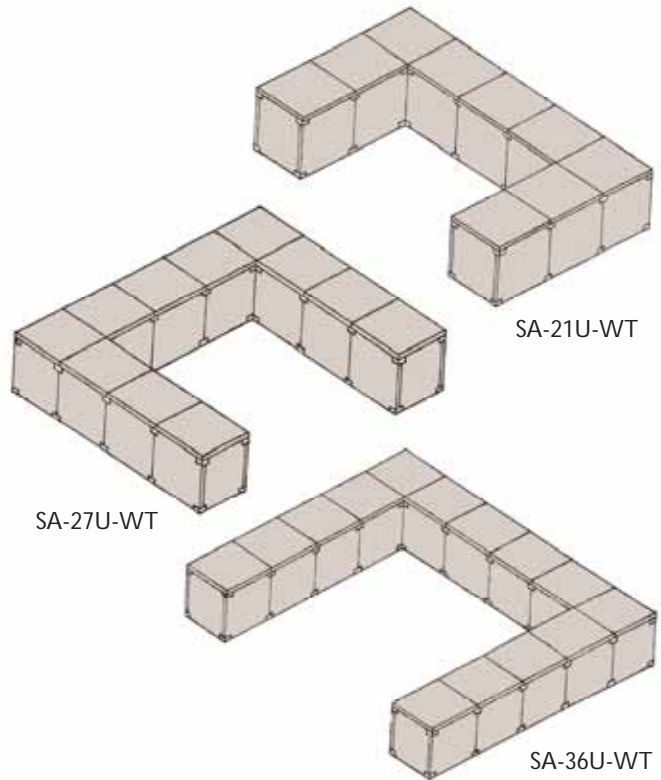


U Series

U Series islands provide plenty of counter space and are offered in 21, 27 and 36 foot lengths. Sizing refers to the approximate length of the inside or shorter angles of the unit.

Item No	Model	Weight
SA21U-WT	21' U Island with Top	3780
SA21U-WOT	21' U Island without Top	2655
SA27U-WT	27' U Island with Top	4860
SA27U-WOT	27' U Island without Top	3485
SA36U-WT	36' U Island with Top	6480
SA36U-WOT	36' U Island without Top	4730

Kits are 33"d x 36"t (WT ) or 33"d x 34"t (WOT)



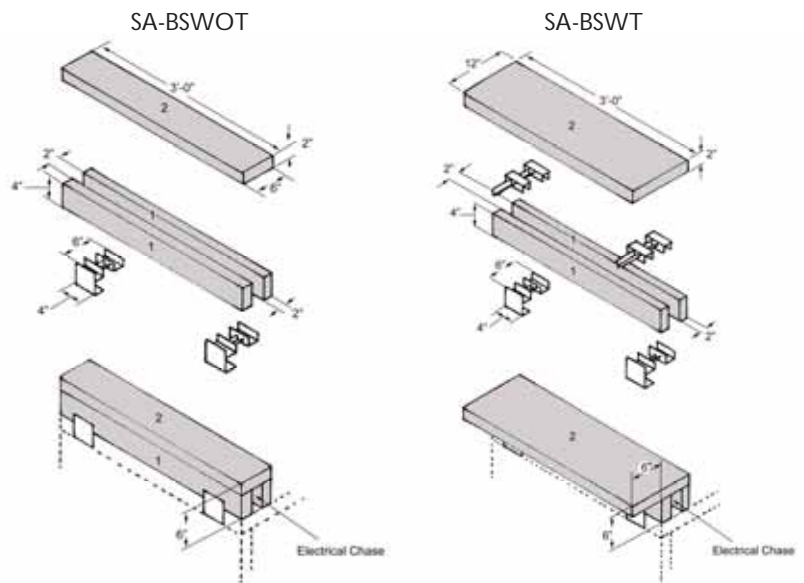
Refer to Section 34 of Price List

Backsplash Kits

Cabinet Component Backsplash kits are offered in two configurations, standard backsplash and backsplash with bar top. Each kit is 3 foot in length, and multiple kits can be added to any Cabinet Component System™ island. Kits are 6 inches tall, and when assembled, have a 2 inch by 4 inch interior space that can be used as an electrical chase. Bar top backsplash kits feature a 6 inch overhang with metal bracketing for extra stability.

Item No	Model	Weight
SA-BSWT	3' Backsplash Kit with Bar Top	75
SA-BSWOT	3' Backsplash Kit without Bar Top	50

Refer to Section 35 of Price List

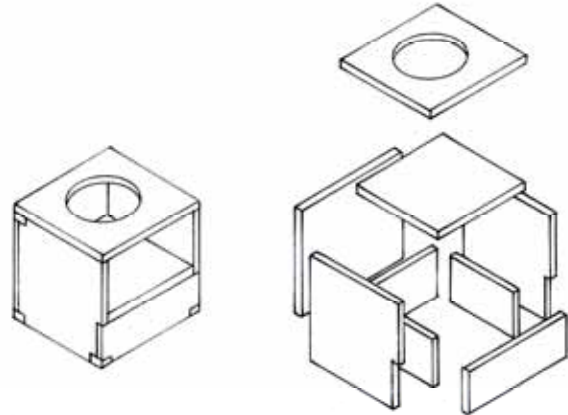


**Ceramic Cooker Island Kits**



Ceramic Cooker Island Kits eliminate the difficulties of installing these popular charcoal grills in an outdoor kitchen island. Our kits are configured with an open front for easy access to lower air vents, but can easily be configured with doors to match the other appliances in an application. The 22" diameter top cut-out fits the most popular sized round cookers, or may be modified to fit oversized or oval designs.

Item No	Model	Weight
SA-CERC	Ceramic Cooker Kit	850



Refer to Section 36 of Price List

**Counter Height Extension Kits**



Counter Height Extension Kits offer a simple and effective solution when taller countertops are desired. Kits are 36" wide by 33" deep by 6" tall, and are installed directly on the island kit walls, with the island's countertop placed on top of the extensions.

Item No	Model	Weight
SA-CHE	Height Extension Kit	95

Refer to Section 36 of Price List

**Seat Wall Kits**

Seat Walls are a popular option for fireplaces and outdoor room setting, and are easily created using our Seat Wall kits. Kits are 36" wide by 12" deep by 18" tall, and can be trimmed to fit any angle or radius.

Item No	Model	Weight
SA-SW-3	Height Extension Kit	170

Refer to Section 36 of Price List

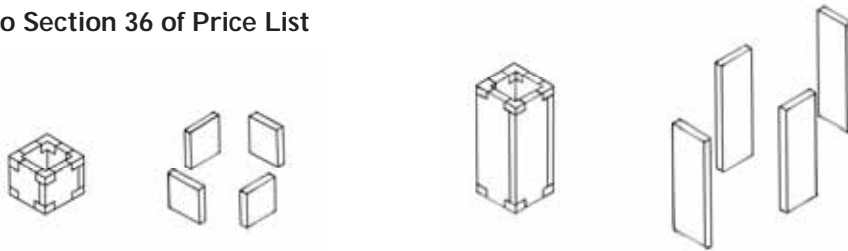


Column Kits

Column Kits quickly create beautiful accent columns, while greatly simplifying the application of masonry finishes, and may be incorporated into seat walls, fencing or other applications. Kits are 36" tall by 14" wide, and 12" height extension kits are available if taller columns are desired.

Item No	Model	Weight
SA-TC-3	Column Kit	176
SA-CEXT	Column Extension Kit	60

Refer to Section 36 of Price List



Island Lighting

Outdoor kitchen lighting is now greatly simplified for the Cabinet Component System™, with Stone Age's new LED Lighting system, which is available in individual components or contractor packs. Multiple lights may be installed using shared transformers, for maximum efficiency and lower cost.

Item No	Model	Weight
IC-700	Universal Under Counter Wall Light	2
SST-100	100 Watt Stainless Steel Transformer	25
W-12-2	Low-Voltage Lighting Wire, 75 ft. Roll	20
WN-LED	Wire Nuts for Low-Voltage Lighting	5

New

IC-700



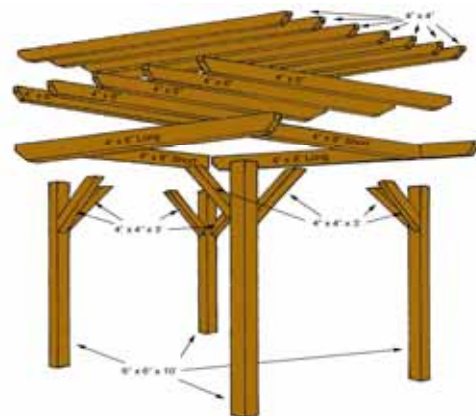
Refer to Section 37 of Price List

Pergolas

Stone Age Pergolas kits are made from solid red cedar and are available in 12' x 12', 12' x 16' or 16' x 16' sizes. Kits are pre-cut and pre-drilled and also include all fastening hardware for fast, easy assembly. Heavy 6" x 6" posts provide strength and security, and their 10' length allows for deep in-ground placement, or they may be trimmed to desired height for surface mounting. 4" x 8" beams provide robust support for the 4" x 6" and 4" x 4" lattice that forms the top of the pergola.

Item No	Model	Weight
SA-A1-1212RM	12' x 12' Cedar Pergola Kit	TBD
SA-A1-1216RM	12' x 16' Cedar Pergola Kit	TBD
SA-A1-1616RM	16' x 16' Cedar Pergola Kit	TBD

Refer to Section 38 of Price List



### Big Pig™ and Little Pig™ Cabinet Smokers

The Big Pig™ and Little Pig™ Cabinet Smokers are the ultimate set up for low temperature (low & slow) smoking.

Comprised of a heavy steel framework with multiple access doors, and a thick refractory outer shell for maximum temperature stability, these smokers combine a large number of features never before available in a kit configuration, to give smoking performance far superior to any other smoker, in a package that will fit into any outdoor setting.

Multi-point air vents give you precise control over temperature. The Big Pig™ features 5 cooking positions, and includes 4, 18" x 20" cooking racks and a hanging hook, for whole pigs or large meat cuts. The Little Pig™ offers 4 cooking positions, with 3 18" x 20" cooking racks, for plenty of cooking surface in a smaller package. Separate doors for each section allows individual adjustment of the firebox, liquid/drip tray and cooking racks. The heavy, 1/4" thick metal face, doors and main framework are designed to last a lifetime. Heavy duty, spring-loaded latch handles, with wire stove handle grips and a high-quality thermometer round out the long list of features included with these units.

The refractory outer shell features 6" thick walls, which help maintain a constant temperature, allowing you to check the food, add wood or liquid, and make other adjustments, without the heat loss typically experienced when opening an all-metal smoker. Opening the doors result in a momentary temperature drop, that quickly returns to the desired temperature, without the need to adjust the air control. The refractory shell is designed to accept any masonry compatible finish, allowing the smoker to be seamlessly integrated into the décor of the rest of the outdoor kitchen or room setting, or function as a standalone unit.

Item No	Model	Weight
SA-SM-BP8	8' Big Pig™ Cabinet Smoker, Refractory Shell Kit & Internal Frame	3056
SA-SM-LP6	6' Little Pig™ Cabinet Smoker, Refractory Shell Kit & Internal Frame	2476

Refer to Section 39 of Price List



## Finishing Specifications For Fireplace, Fire Pit, Brick Oven &amp; Pizza Oven Models

Model	Size/Name	Approximate Surface/Corner Area	Firebrick Required
<b>Patio Series</b>			
SA-24PS	24"	49 square feet of surface, including 22 linear feet of corners	70 Splits-N/R
SA-36PS	36"	71 square feet of surface, including 22 linear feet of corners	85 Splits-N/R
SA-48PS	48"	94 square feet of surface, including 22 linear feet of corners	105 Splits-N/R
<b>Contractor Series</b>			
SA24CN	24"	62 square feet of surface, including 26 linear feet of corners	70 Splits
SA36CN	36"	85 square feet of surface, including 26 linear feet of corners	85 Splits
SA48CN	48"	109 square feet of surface, including 26 linear feet of corners	105 Splits
<b>Stone Age (Standard)</b>			
SA24	24"	75 square feet of surface, including 32 linear feet of corners	70 Splits
SA36	36"	100 square feet of surface, including 32 linear feet of corners	85 Splits
SA48	48"	125 square feet of surface, including 32 linear feet of corners	105 Splits
<b>New Age™ Outdoor</b>			
SA39	39"	95 square feet of surface, including 32 linear feet of corners	95 Splits
SA45	45"	105 square feet of surface, including 32 linear feet of corners	105 Splits
SA51	51"	115 square feet of surface, including 34 linear feet of corners	135 Splits
SA63	63"	140 square feet of surface, including 34 linear feet of corners	160 Splits
SA75	75"	165 square feet of surface, including 36 linear feet of corners	185 Splits
<b>Contractor Series See-Thru</b>			
SA24CN-ST/STR	24"	58 square feet of surface, including 26 linear feet of corners	70 Splits
SA36CN-ST/STR	36"	79 square feet of surface, including 26 linear feet of corners	85 Splits
SA48CN-ST/STR	48"	101 square feet of surface, including 26 linear feet of corners	105 Splits
<b>See-Thru (Standard)</b>			
SA24-ST/STR	24"	71 square feet of surface, including 32 linear feet of corner	70 Splits
SA36-ST/STR	36"	94 square feet of surface, including 32 linear feet of corners	85 Splits
SA48-ST/STR	48"	118 square feet of surface, including 32 linear feet of corners	105 Splits
<b>Veranda™</b>			
SA-VER-UA	18"	48 square feet of surface, including 24 linear feet of corners	N/R
<b>Extension Kits for Stone Age (Standard Series, 3-Piece Kits)</b>			
SA24-EXT	24"	9 square feet of surface, including 2 linear feet of corners	40 Splits
SA36-EXT	36"	10 square feet of surface, including 2 linear feet of corners	40 Splits
SA48-EXT	48"	11 square feet of surface, including 2 linear feet of corners	46 Splits
SA45-EXT	45"	14 square feet of surface, including 3 linear feet of corners	56 Splits
<b>Extension Kits for See-Thru (Standard Series, 2-Piece Kits, One Size Fits All)</b>			
SA-24STEXT	24"	6 square feet of surface, no additional corners	40 Splits
SA-36STEXT	36"	6 square feet of surface, no additional corners	40 Splits
SA-48STEXT	48"	6 square feet of surface, no additional corners	40 Splits
<b>Fire Pits</b>			
SA-SRP	Short Round	15 square feet of surface and 11 linear feet of coping	51 Splits
SA-TRP	Tall Round	25 square feet of surface and 11 linear feet of coping	74 Splits
SA-LRP	Large Round	25 square feet of surface and 13 linear feet of coping	76 Splits
SA-SQP	Square	20 square feet of surface and 14 linear feet of coping	73 Splits
SA-EXT	Rectangle Extension	3 square feet of surface and 2 linear feet of coping, per kit	19 Splits
<b>Brick &amp; Pizza Ovens</b>			
SA-BO	Brick Oven	40 square feet of surface, including 20 linear feet of corners	40 Full, 40 Splits
SA-VPO-34	Vecchio™ Pizza	32 square feet of surface, including 16 linear feet of corners	40 Full, 20 Splits
SA-MPO-36	Mezzo™ Pizza	25 square feet of surface, including 14 linear feet of corners	30 Full
SA-APO-48	Amerigo™ Pizza	35 square feet of surface, including 14 linear feet of corners	50 Full
<b>Big Pig™ &amp; Little Pig™ Cabinet Smokers</b>			
SA-SM-BP8	Big Pig™ Smoker	66 square feet of surface, including 28 linear feet of corners	50 Full
SA-SM-LP6	Little Pig™ Smoker	51 square feet of surface, including 20 linear feet of corners	50 Full

**New Age™ Indoor & Vent-Free (Firebrick Required)**

NA36 - 110 Full, NA42 - 120 Full, NA48 - 150 Full, NA60 - 175 Full, NA72 - 200 Full • NA36VF - 110 Full, NA42VF - 120 Full

**Note: All finishing specifications are approximate, and do not include waste.**

## Finishing Specifications for Cabinet Component System™

### Kitchen Island Kits

Model	Side Area	Top	Corner
SA6STR-WT	51 sqft	17 sqft	12 lf
SA9STR-WT	69 sqft	25 sqft	12 lf
SA12STR-WT	87 sqft	33 sqft	12 lf
SA15STR-WT	105 sqft	42 sqft	12 lf
SA18STR-WT	123 sqft	50 sqft	12 lf
SA9L-WT	84 sqft	32 sqft	15 lf
SA12L-WT	102 sqft	40 sqft	15 lf
SA15L-WT	120 sqft	49 sqft	15 lf
SA18L-WT	138 sqft	57 sqft	15 lf
SA21L-WT	156 sqft	65 sqft	15 lf
SA24L-WT	174 sqft	73 sqft	15 lf
SA9F-WT	75 sqft	28 sqft	15 lf
SA12F-WT	93 sqft	36 sqft	15 lf
SA15F-WT	111 sqft	45 sqft	15 lf
SA18F-WT	129 sqft	53 sqft	15 lf
SA9FF-WT	82 sqft	31 sqft	18 lf
SA12FF-WT	100 sqft	39 sqft	18 lf
SA15FF-WT	118 sqft	48 sqft	18 lf
SA18FF-WT	136 sqft	56 sqft	18 lf
SA21U-WT	172 sqft	72 sqft	18 lf
SA27U-WT	208 sqft	88 sqft	18 lf
SA36U-WT	262 sqft	113 sqft	18 lf

### Wood Storage Cabinet Kits

Model	Side Area	Top	Corner
SA-WCA	29 sqft	9 sqft	12 lf
SA-WCS	29 sqft	9 sqft	12 lf
SA-WCN	33 sqft	9 sqft	12 lf
SA-WAA	17 sqft	5 sqft	N/A

### Pizza Oven Cabinet Kits

Model	Side Area	Top	Corner
SA-PCA-48	42 sqft	N/A	16 lf
SA-PCS-48	42 sqft	N/A	16 lf
SA-PCN-48	52 sqft	N/A	16 lf
SA-MCA-36	29 sqft	N/A	16 lf
SA-MCS-36	29 sqft	N/A	16 lf
SA-MCN-36	40 sqft	N/A	16 lf

### Ceramic Cooker Cabinet Kit

Model	Side Area	Top	Corner
SA-CERC	27 sqft	8 sqft	12 lf

### Column & Seat Wall Kits

Model	Side Area	Top	Corner
SA-TC-3	14 sqft	N/A	12 lf
SA-CEXT	5 sqft	N/A	4 lf
SA-SW-3	9 sqft	3sqft	6 lf

**Note: Cabinet Component System™ Finishing Specifications are based on kits with tops.**

## Approximate Coverage Specifications for Multi-Purpose Ready-Mix

### Kit Assembly Only (including Firebrick, where applicable)

24" Standard, Contractor & Patio Fireplaces	3 Buckets	72" - 75" New Age™ Fireplaces	8 Buckets
36" Standard, Contractor & Patio Fireplaces	4 Buckets	Fire Pits - All Models	1 Bucket
48" Standard, Contractor & Patio Fireplaces	5 Buckets	Vecchio™ & Mezzo™ Ovens	1 Bucket
36" - 39" New Age™ Fireplaces	4 Buckets	Amerigo™ & Brick Ovens	2 Buckets
42" - 45" New Age™ Fireplaces	5 Buckets	Big Pig™ & Little Pig™ Smokers	6 Buckets
48" - 51" New Age™ Fireplaces	6 Buckets		
60" - 63" New Age™ Fireplaces	7 Buckets	Chimney Sections - 8 to 9 sections per Bucket	

**Veneer Coverage** - Amount of coverage will typically range between 15 and 30 square feet, depending upon material used, application technique and joint size.

**All finishing specifications are approximate, and do not include waste.**

## Pad/Footing Specifications for Fireplaces (Minimum Sizes for Standard Height Applications)

### Thin Finishes

Model	Thickness (A)	Depth (B)	Width (C)
SA24	4" - 6"	48"	40"
SA36	6" - 8"	48"	52"
SA48	8" - 10"	48"	64"
SA24-ST	4" - 6"	56"	40"
SA36-ST	6" - 8"	56"	52"
SA48-ST	8" - 10"	56"	64"
24CN, PS	4" - 6"	39"	40"
36CN, PS	6" - 8"	39"	52"
48CN, PS	8" - 10"	39"	64"
NA39	6" - 8"	38"	54"
NA45	8" - 10"	38"	60"
NA51	8" - 10"	38"	66"
NA63	16" - 20"	38"	78"
NA75	16" - 20"	38"	90"

### Full Depth Finishes

Model	Thickness (A)	Depth (B)	Width (C)
SA24	8" - 12"	54"	46"
SA36	12" - 18"	54"	58"
SA48	8" - 24"	54"	70"
SA24-ST	8" - 12"	62"	46"
SA36-ST	12" - 18"	62"	58"
SA48-ST	18" - 24"	62"	70"
24CN, PS	8" - 12"	45"	46"
36CN, PS	12" - 18"	45"	58"
48CN, PS	18" - 24"	45"	70"
NA39	12" - 18"	44"	60"
NA45	18" - 24"	44"	66"
NA51	18" - 24"	44"	72"
NA63	32" - 40"	44"	84"
NA75	32" - 40"	44"	96"

**Note:** A larger pad is required when adding a hearth to Contractor Series and New Age models, or taller chimney on all models.

# Stone Age Manufacturing, Inc. proudly offers an industry-leading 25 year limited warranty on all UL-127 fireplaces.

## LIMITED WARRANTY

The products of Stone Age Manufacturing, Inc. ("Stone Age") have been carefully manufactured and the components assembled to give the customer a quality product. Stone Age warrants to the original purchaser the materials that it provides to the customer against defects in manufacture for a period of twenty-five (25) years from the date of purchase on UL-127 listed fireplaces, for a period of five (5) years from the date of purchase on all unlisted fireplaces, fire pits, and other masonry components. Other accessory items or components offered, but not produced by Stone Age Manufacturing, Inc., shall be covered by their manufacturer's warranties. This Limited Warranty covers only actual manufacturing defects in the Stone Age product and does not cover defects or faulty workmanship in the installation of the product or the masonry or other structure in which it is installed. Also this warranty does not cover items that have been damaged due to over-heating, modification, improper storage or maintenance. Stone Age shall repair or replace, at its option, any defective Stone Age product component upon receipt of written notice addressed to Stone Age. This Limited Warranty covers only replacement of any defective components within the product itself occurring during the warranty period and does not cover the cost of installation or removal from a fixed location. NO OTHER WARRANTIES, EXPRESS OR IMPLIED, ARE MADE, INCLUDING IMPLIED WARRANTIES OF MERCHANTABILITY AND FITNESS FOR PARTICULAR PURPOSES WHICH ARE SPECIFICALLY DISCLAIMED. Stone Age is not liable for damages or injury to persons or property or other incidental or consequential damages.

Catalog Revision Date: 2012-03

©2010-2012, Stone Age Manufacturing, Inc., All Rights Reserved.

The entire contents of this document are exclusively for the use of authorized Stone Age dealers and distributors, and may not be reprinted or reproduced in any way without the express written permission of Stone Age Manufacturing, Inc.



# Stone Age Manufacturing

Modular Masonry Technology at its Finest



Tested & Listed by



Portland Oregon USA

OMNI-Test Laboratories, Inc.

Stone Age Manufacturing, Inc.

11107 E. 126th St. N.

Collinsville, OK 74021